

PART NAME

HAND HAND BOX (STYLE L)

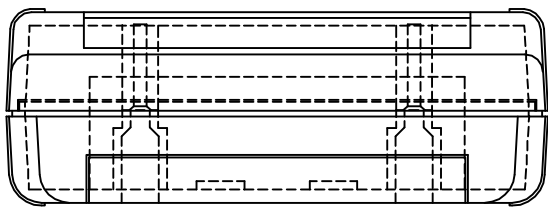
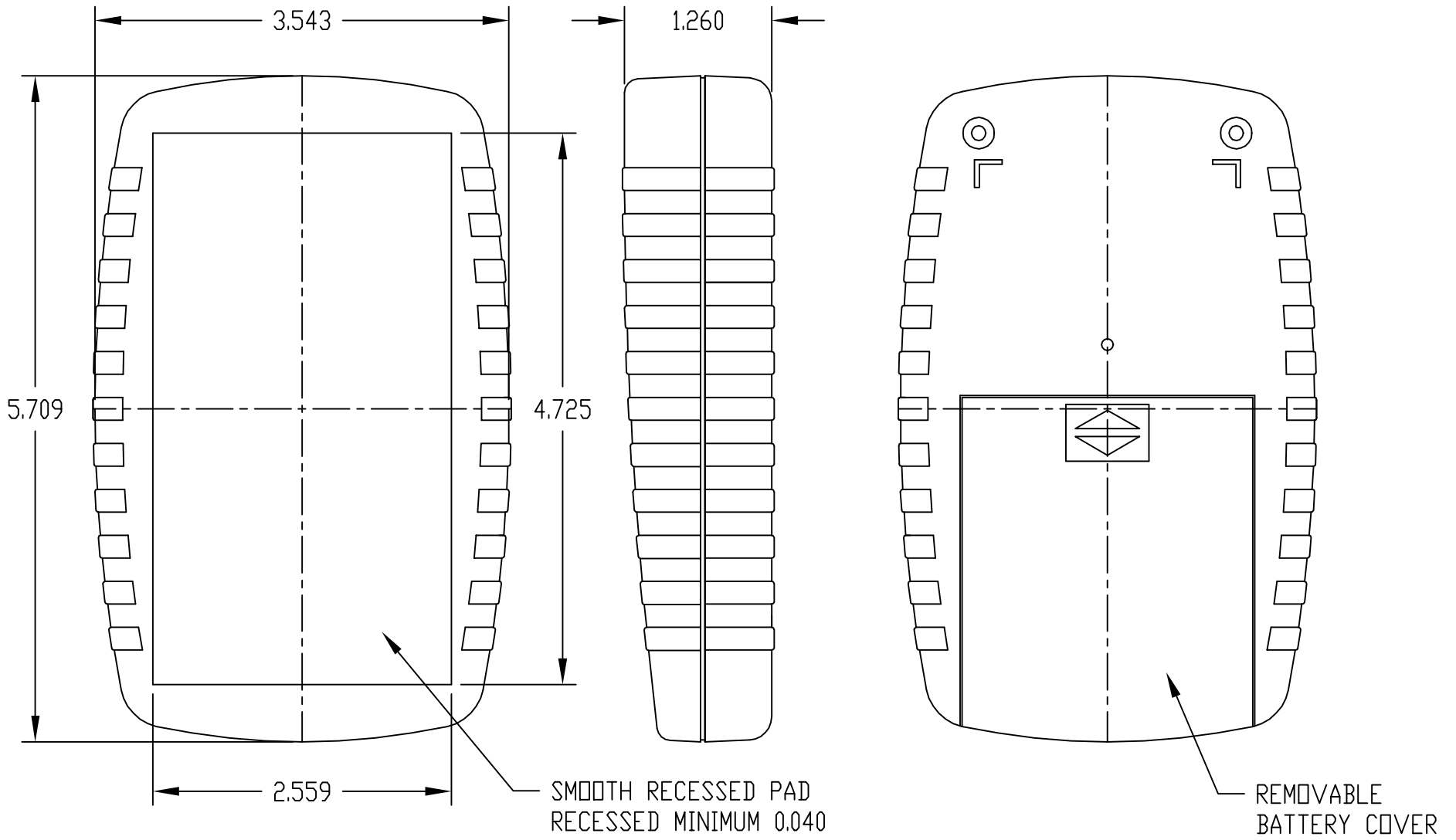
PART No.

HH-3580-BC

REV. DATE

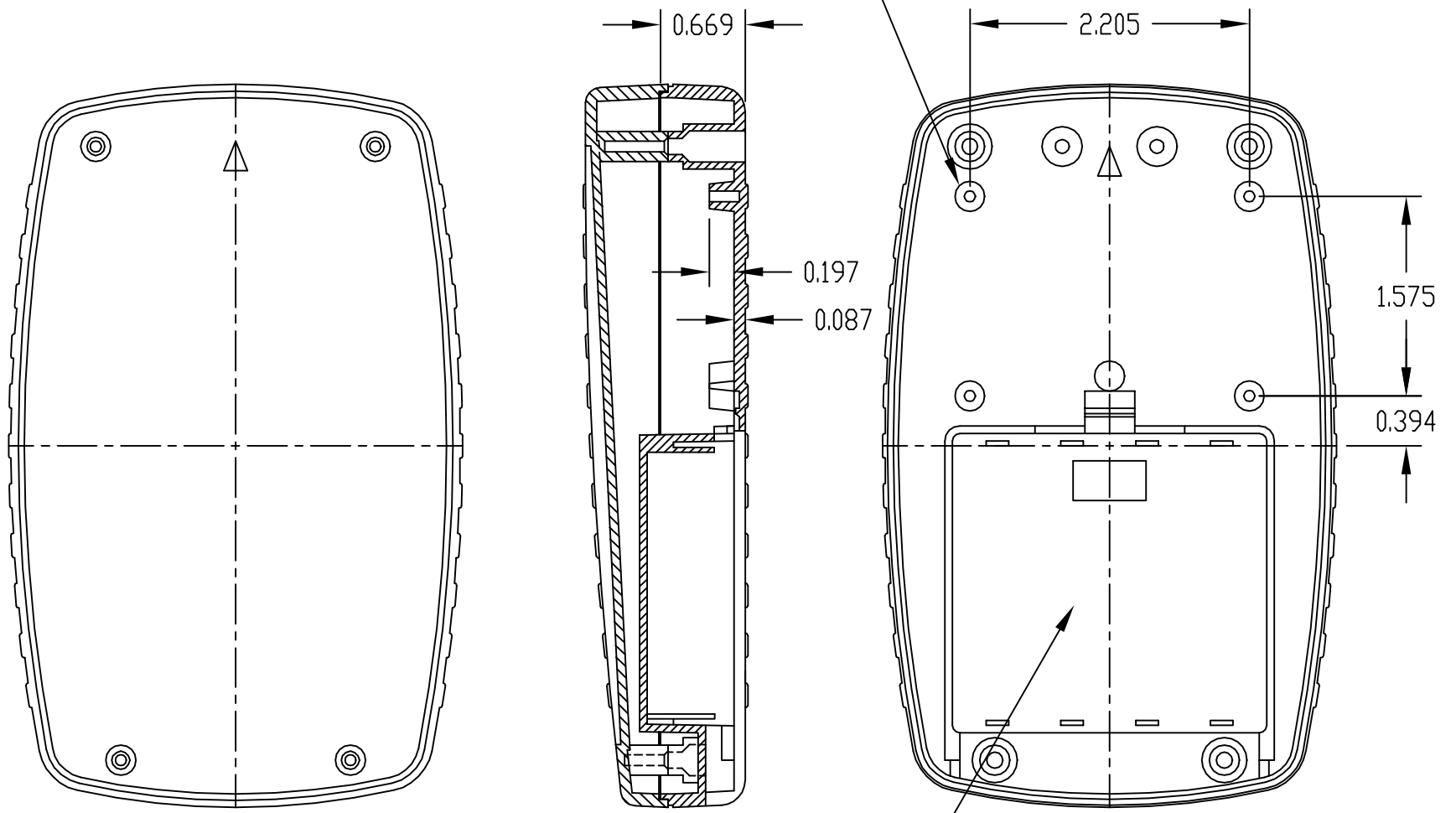
MATERIAL: HIGH IMPACT ABS WITH UL94V-0 FLAMMABILITY RATING
FINISH: TEXTURED BLACK

ALL DIMENSIONS HAVE ± 0.015 TOLERANCE
FOUR (4) M3 \times 1/2" LG. FLAT HD. STAINLESS STEEL SCREWS SUPPLIED FOR ASSEMBLY



NOTE: MOUNTING BOSSES USE EITHER M2.5 METRIC OR #4 STD. SHEET METAL SCREWS \times 3/16" LG. (NOT SUPPLIED)

0.236 DIA. BOSS WITH 0.087 DIA. HOLE (4) PLACES



INSIDE VIEW OF TOP

BATTERY COMPARTMENT ACCEPTS (2) OR (4) AA, (1) 9V, OR (1) 9V AND (2) AA BATTERIES

INSIDE VIEW OF BOTTOM